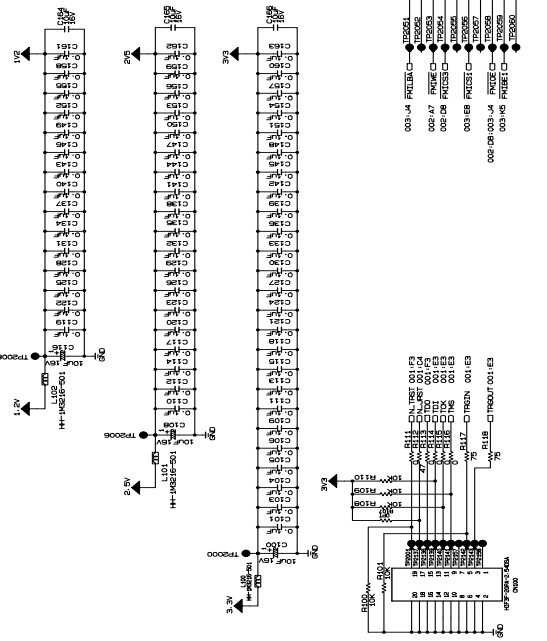
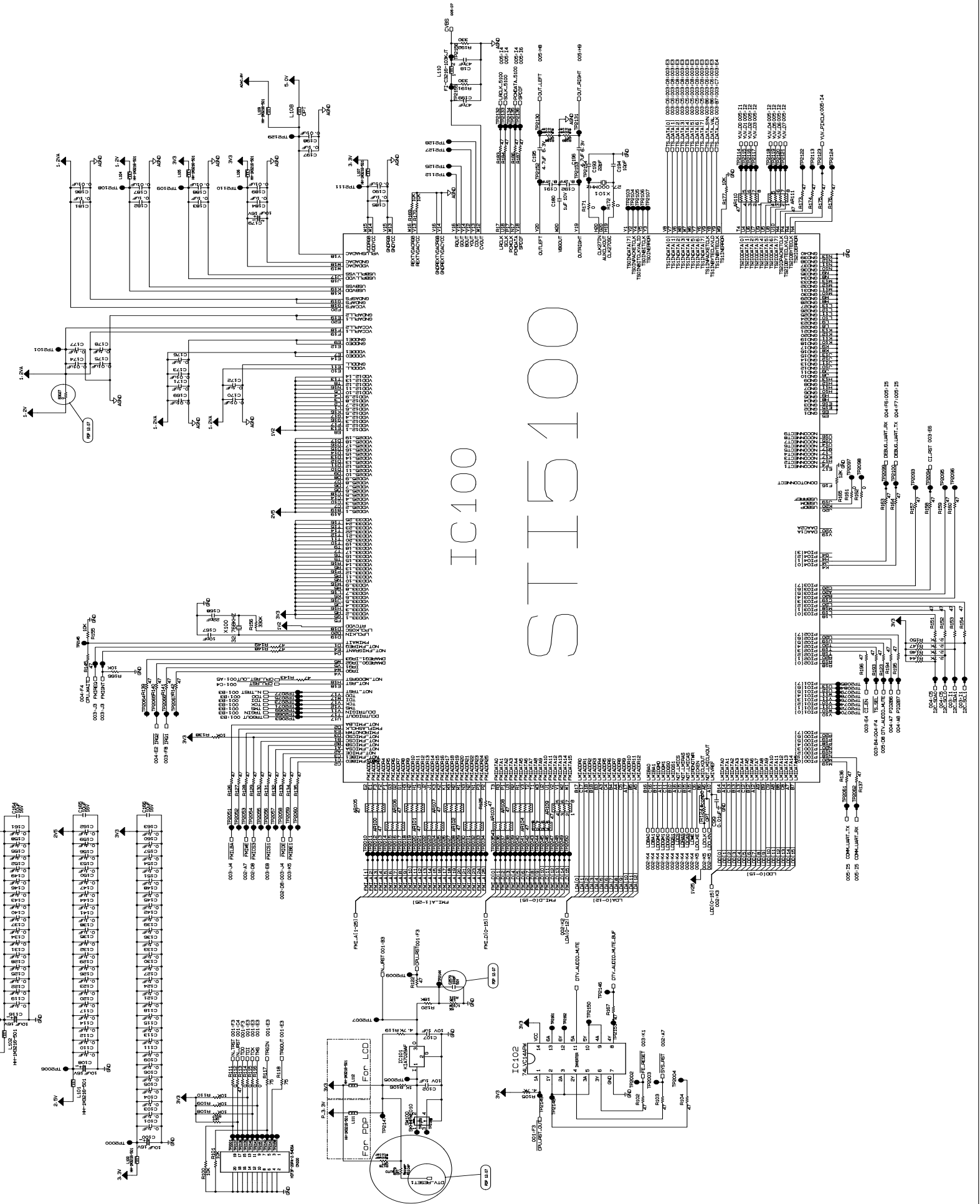


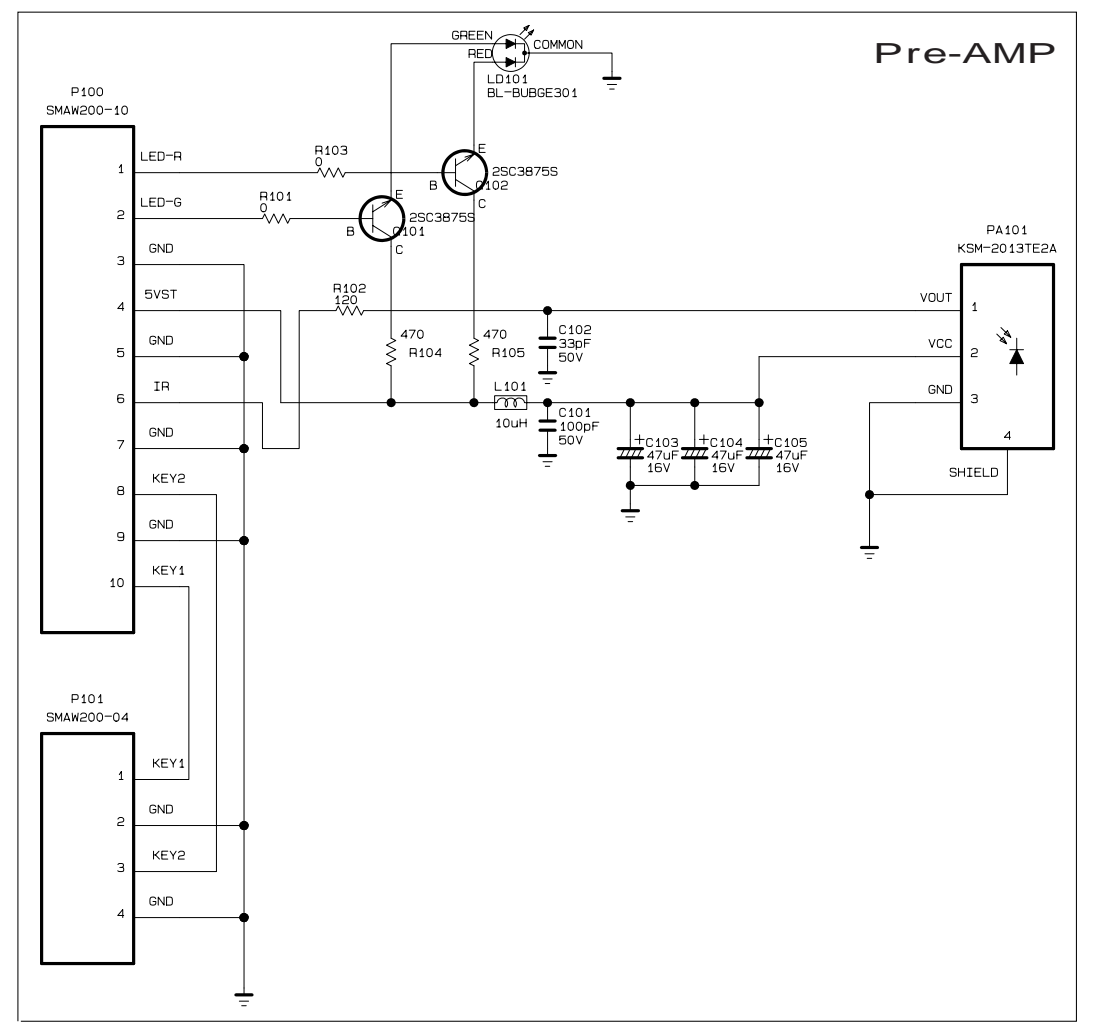
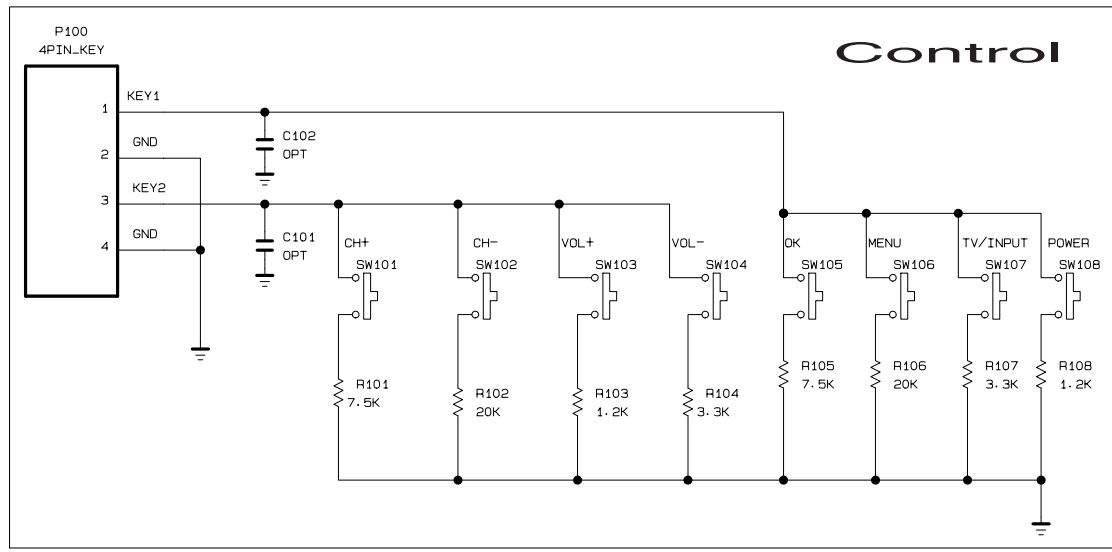
SI15100 Decoupling Capacitors



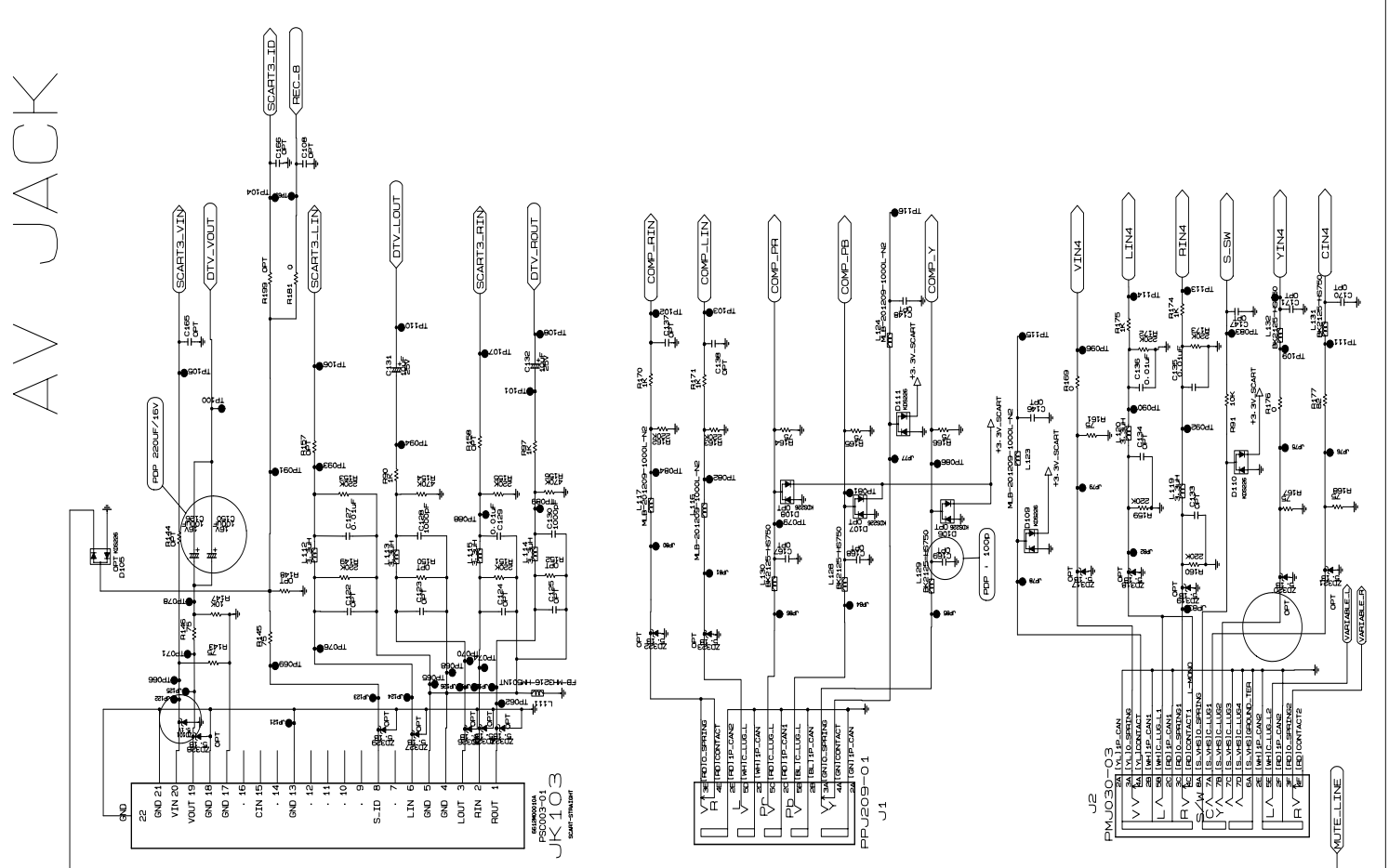
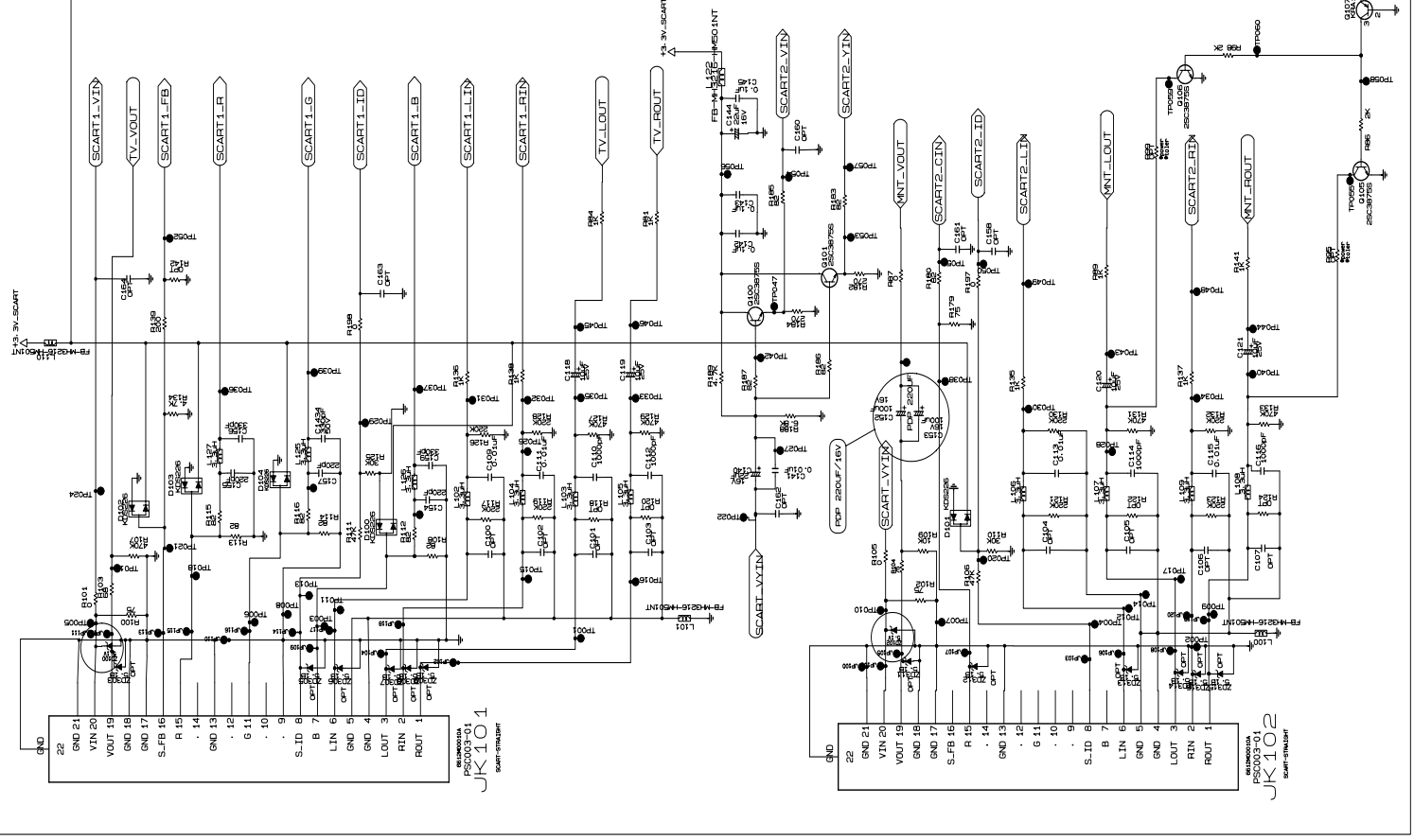
MAIN



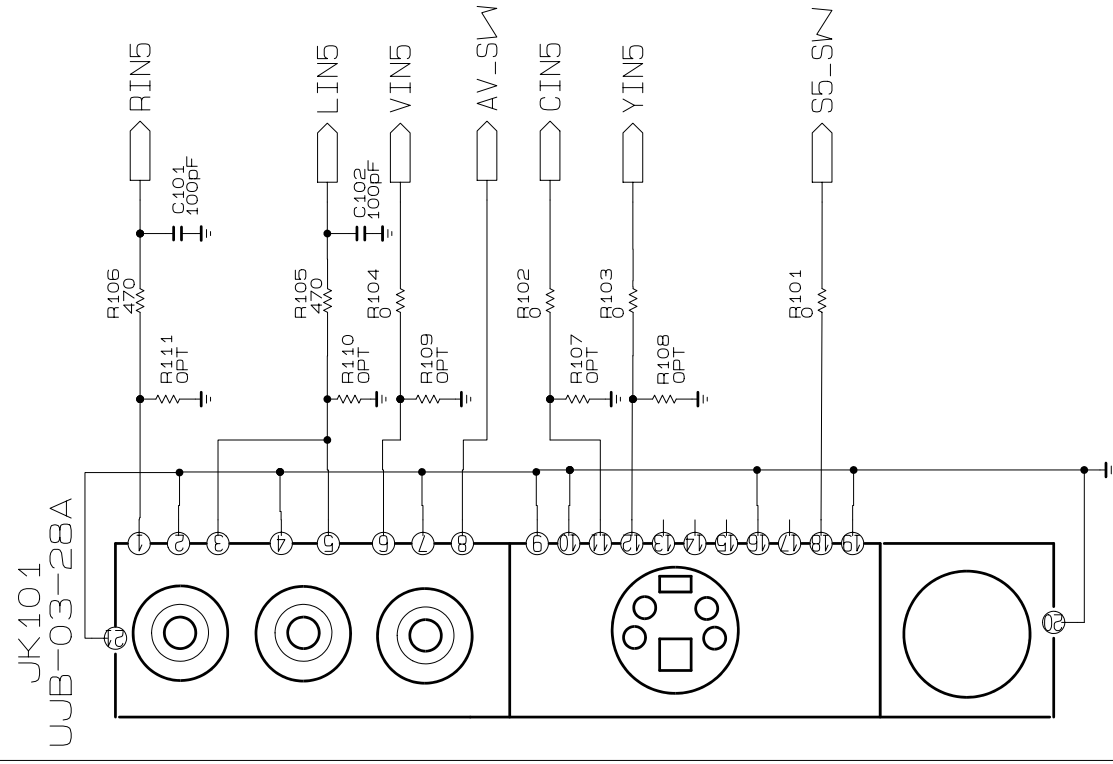
IC100  
ST15100



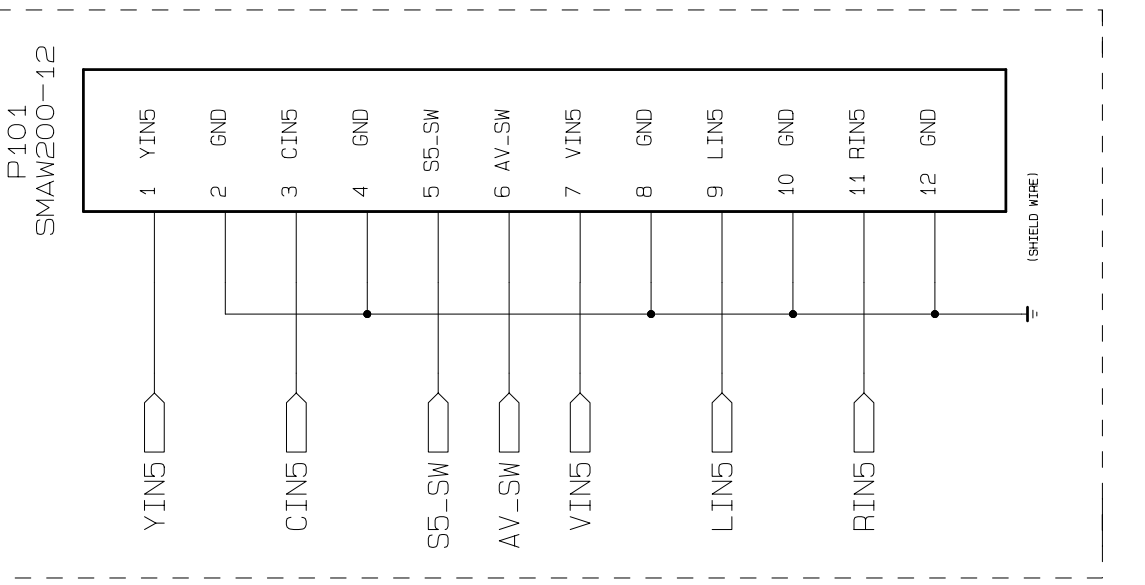
# AV JACK



# SIDE AV B/D



# TO VSC BOARD



RT	RZ	VGA	RZ	XGA	NTSC
C101	100pF		100pF		OPT
C102	100pF		100pF		OPT
R101	0		0		0
R102	0		0		6200JB8010L
R103	0		0		6200JB8010L
R104	0		0		82
R105	3.3uH		470		6200JB8010L
R106	3.3uH		470		6200JB8010L
R107	OPT		OPT		68(S5-07489)
R108	OPT		OPT		82
R109	OPT		OPT		82
R110	OPT		OPT		220K
R111	OPT		OPT		220K